

HK80F

Special Milling Machine HK80F

semi-automatic milling machine for fast milling of NF-metal samples with reproducible surface for emission- and X-ray spectrometer analysis



MILLING MACHINE HK 80F

- Compact desktop machine, fully covered working room, halogen lighting, container for collection of millings
- Automatic sample feeding, speed adjustable, manual depth setting
- Fast advance of sample support for feed and reverse
- Continuous setting of spindle and cutting speed
- NC-control via 32-bit-processor
- Exact setting of cutting depth by height measurement tool
- Vertical back stop for cutting head
- Clean operation, easy handling
- Display of cutting speed, frequency, voltage and current

Technical Data and Accessory



www.breitlander.com

Technical Data

Operating revolutions of cutter, continuous presetting
 Cutting speed
 Operating speed of slide, 8-step presetting
 Fast advance of slide
 Cutting depth max
 Axial feeding via handwheel, marking step on scale
 Cutter Ø

400-3600 rpm
 to 870 m/min
 50-190 mm/min
 400 mm/min
 2 mm
 0,05 mm
 63 mm or 80 mm

Sample size, max. round
 Sample size, max. edged
 Sample size, height

Ø 80 mm
 50 x 80 mm
 60 mm

Dimensions milling machine
 Dimensions control unit
 Mass

400 x 407 x 710 mm
 180 x 430 x 330 mm
 140 kg

Power supply
 Motor

230 V ±5 %, 50/60 Hz, 16 A
 0,75 kW

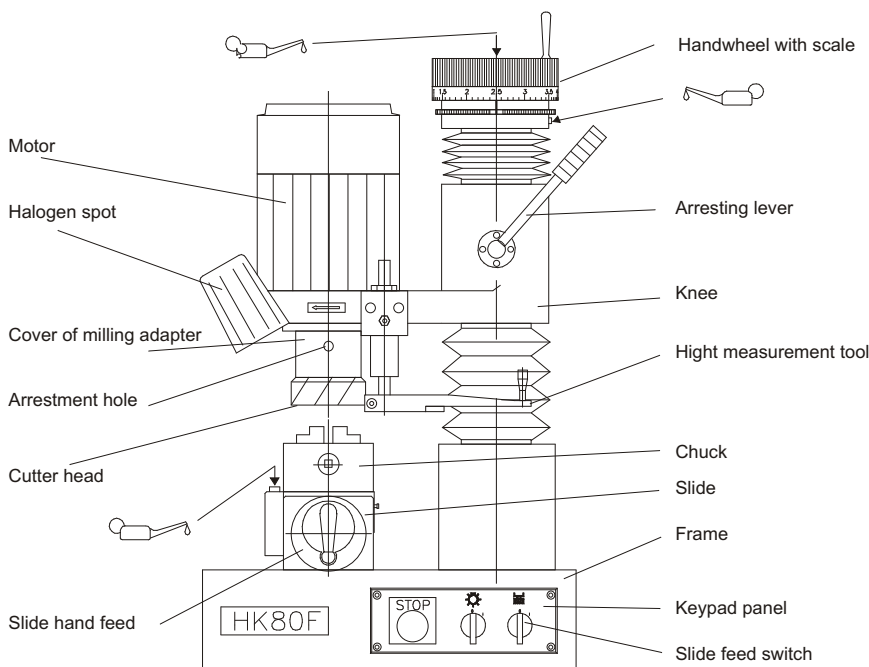
Standard Accessory

Machine with control unit
 Three-point-chuck with reverse brackets
 Set of tools, lubricant, dust brush
 Tool for cutter positioning and exchange
 Transport handles

Optional Accessory

Special 4-point chuck for edged samples
 Brackets for low round samples
 4 side cutter blades
 Device for alignment of cutter blades
 Cutter head Ø 63 mm, blades, clamping device
 Cutter head Ø 80 mm, blades, clamping device
 Special cutting head Ø 63 mm for noble metals
 Spare parts kit

Milling machine



Control Unit

